

Answer ALL Questions

Time Allowed: 02 Hours

Q1.

1. Define the terms Software and Hardware.
2. What are the major categories of Software? Give at least three examples for each.
3. What is computer language? List names of four computer languages.
4. What is computer language translator?
5. Write a C++ programme to display the addition of two numbers
(Note: The programme should ask the user to input two numbers)

Q2.

1. What are the terms **Client** and **Server** represents in computer network?
2. Briefly explain at least three types of computer network according to the geographical arrangement of computers.
3. Give names of at least four types of computer network topologies with diagram.
4. List names of at least five connectivity devices in computer network and briefly explain when on which situation those are used.

Q3.

1. Name three free web mail service providers.
2. Give two examples for search engines.
3. What is computer virus?
4. How computer virus can spread and give at least four ways to protect your computer from computer viruses.
5. What is Open Source Software and Shareware?

Q4.

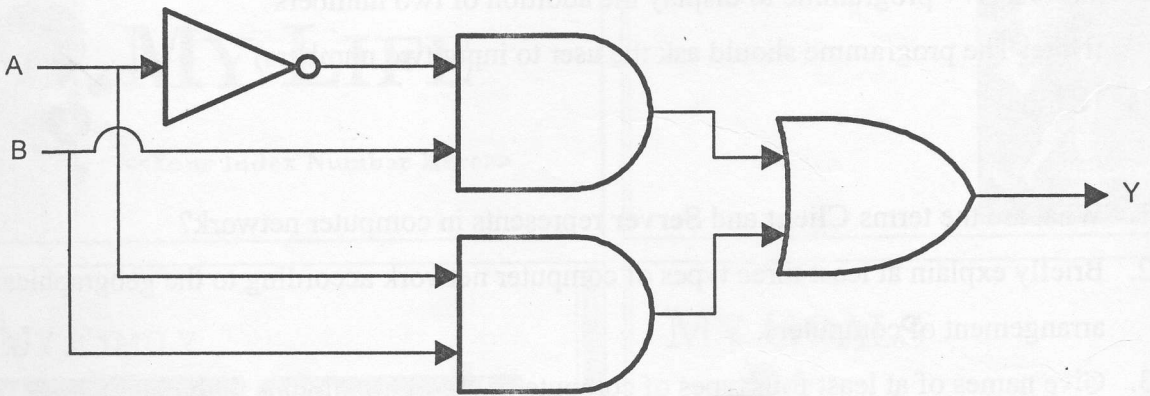
1. Represent the decimal number 203_{10} to the following number system.

- Binary
- Octal
- Hexadecimal.

2. Represent the following negative numbers in 8 bits Binary using 2's complement method

- -20_{10}
- -14_{10}

3. Build truth table for the following logic gate



4. Simplify the Boolean expression $AB + ABC + ABCD + ABCDE + ABCDEF$